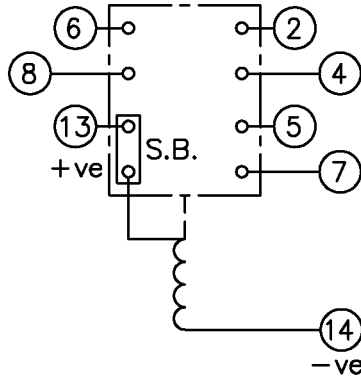


LOOKING ON FRONT OF RELAY



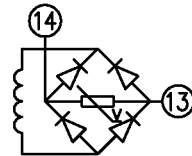
NOT SUBJECT TO UPDATE  
ONCE COPIED / PRINTED  
OR DOWNLOADED

**KEY**

- make contact
- break contact
- c/o contact
- ext. conn
- plug bridge - shorting
- metering point
- 5Kv barrier
- test socket - shorting
- plug & socket

CONTACT CONFIG.	OUTPUT CONTACT PAIR / TERMINAL No.					
	1-3	2-4	5-7	6-8	9-11	10-12
3M 1SB	/	M	M	M	/	/
2M 1B1SB	/	B	M	M	/	/
1M 2B1SB	/	B	M	B	/	/
3B1SB	/	B	B	B	/	/

NOTE: WHEN RECTIFIER IS SPECIFIED COIL CONNS. ARE AS SHOWN.



**FRAME REFERENCE: E2FAQM.**

**FRAME TERMINAL BLOCK ASSY: -**

ASSEMBLY INSTRUCTIONS: -  
TYPICAL ASSEMBLY DRAWING 2995G10032.  
AT INDICATED POSITIONS FIT AS FOLLOWS:  
T - FIT TRIP ISOLATION CONTACT 2995B10053  
S - FIT STANDARD CONTACT 2995B10054  
SECURE CONTACTS USING FIXING SCREW 2109F99009.  
POSITIONS SHOWN BLANK ARE UNUSED

2	T		1
4	T		3
6	T	T	5
8	T	T	7
10			9
12			11
14	S	S	13
16			15
18			17
20			19
22			21
24			23
26			25
28			27

VIEW FROM NUMBERED SIDE OF BLOCK

**OUTER TERMINAL BLOCK ASSY: -**

ASSEMBLY INSTRUCTIONS: -  
TYPICAL ASSEMBLY DRAWING 2995G10029.  
AT INDICATED POSITIONS FIT AS FOLLOWS:  
S - FIT STANDARD CONTACT 2995B10051  
HC - FIT 'HEAVY CURRENT' KIT 2995G10030  
WHERE IS SHOWN FIT CT SHORTING KIT 2995G10031  
POSITIONS SHOWN BLANK ARE UNUSED.  
ALL POSITIONS FIT SCREW 2106F12506.

2	S		1
4	S		3
6	S	S	5
8	S	S	7
10			9
12			11
14	S	S	13
16			15
18			17
20			19
22			21
24			23
26			25
28			27

VIEW FROM INSIDE FACE

2 RDW 1	16/01/04 27/04/99	MN112/2606	Title: T.B. AND W.D. FOR AR112SB 4 CONTACT RELAYS IN EPSILON E2 CASE.	First used on:
				Similar Articles:
ISSUE	DATE	MOD.No.	Reyrolle Protection Hebburn.	Supersedes:
DRAWN: A.LAW.	CHECKED:	APPROVED: R.D.WATSON		DATE: 17/07/02
			Original Scale:	Copyright © 1999